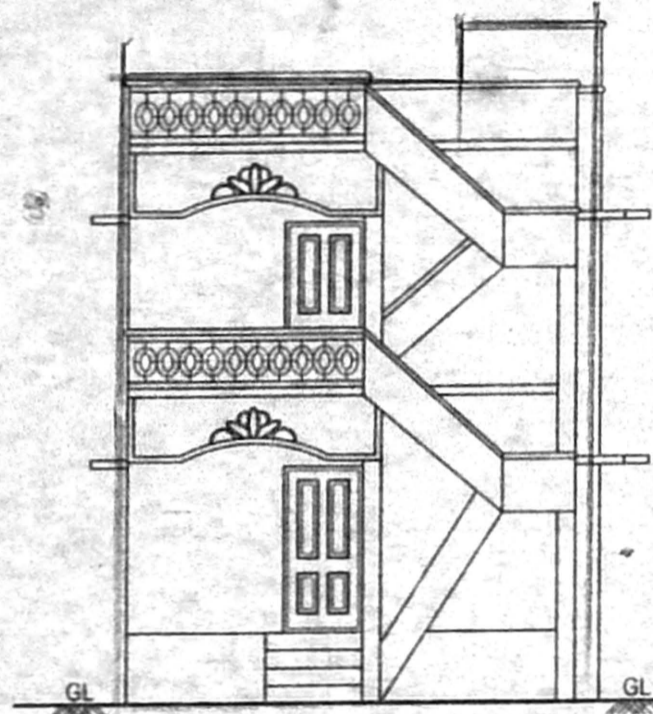


PLAN SHOWING THE PROPOSED CONSTRUCTION OF RESIDENTIAL BUILDING AT PLOT No.9Part,
GANDHI 1st CROSS STREET, PANDIAN SALAI, IN S.No.61/10, (AS PER PATTA S.No.61/38B)
OF NEELANKARAI VILLAGE, TAMBARAM TALUK, KANCHEEPURAM DISTRICT.

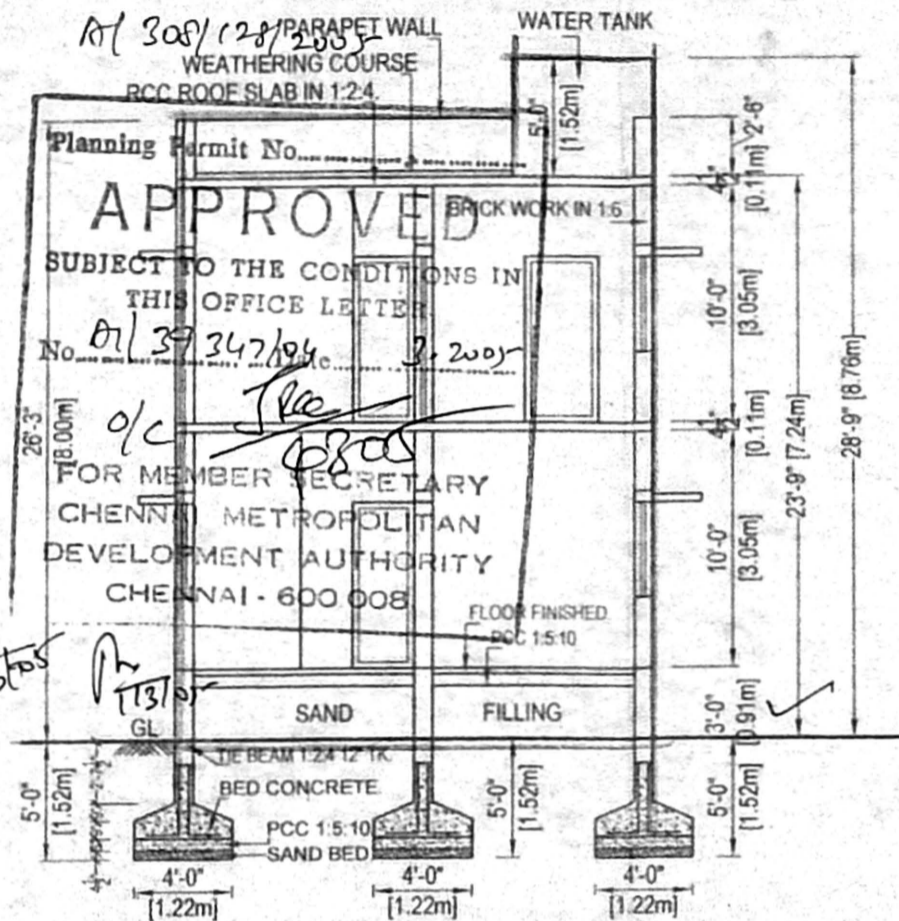
OFFICE COPY

ST. THOMAS MOUNT PANCHAYAT UNION,

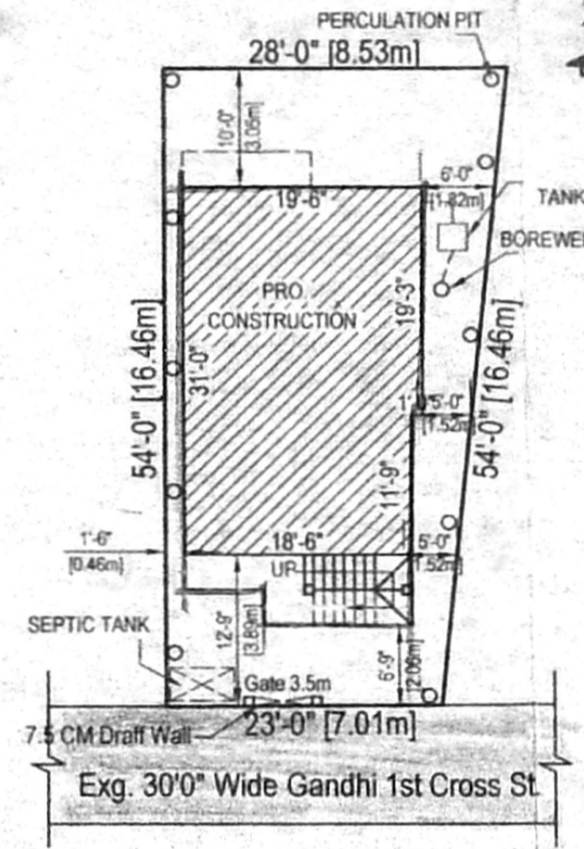
SCALE : 1:100 (1"= 8')



FRONT ELEVATION

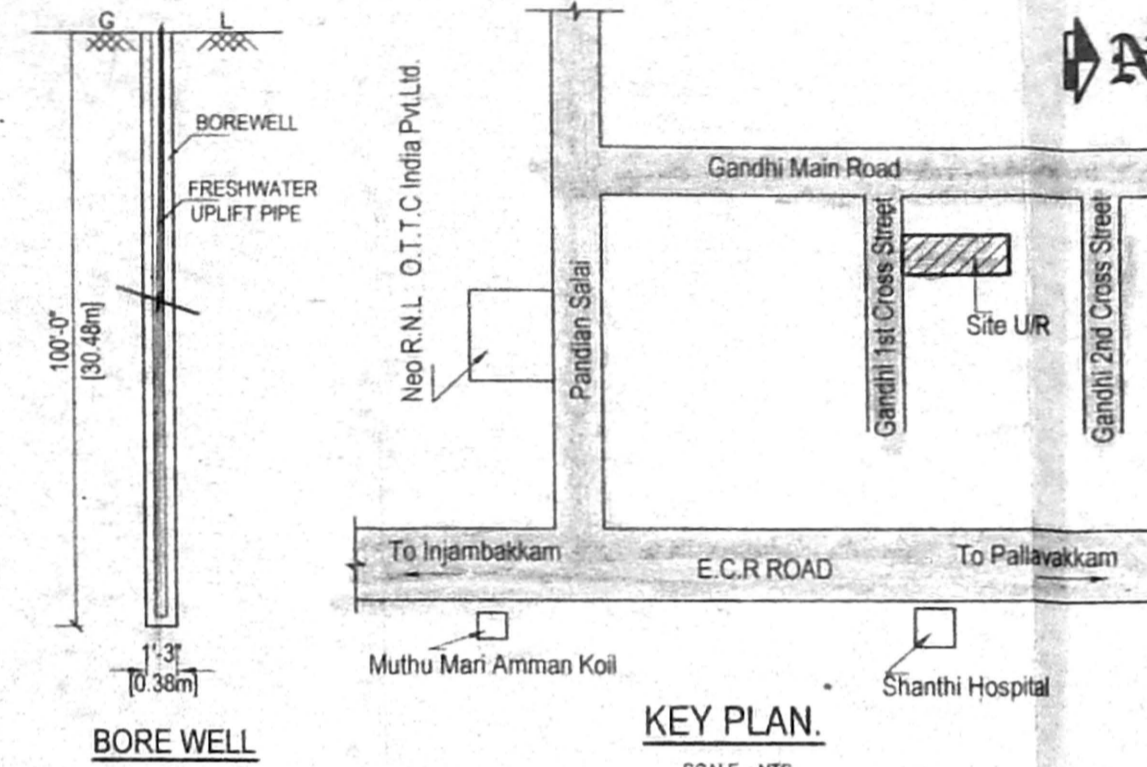


SECTION ON "AB".



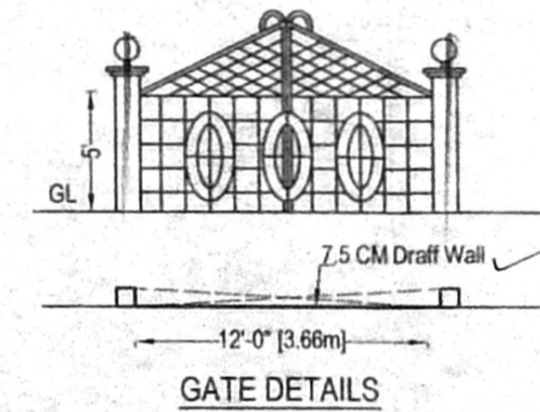
SITE PLAN.

SCALE 1:200

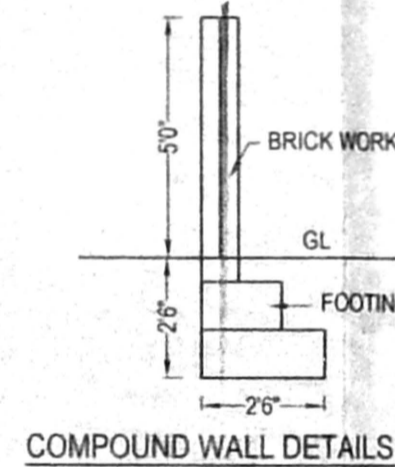


KEY PLAN.

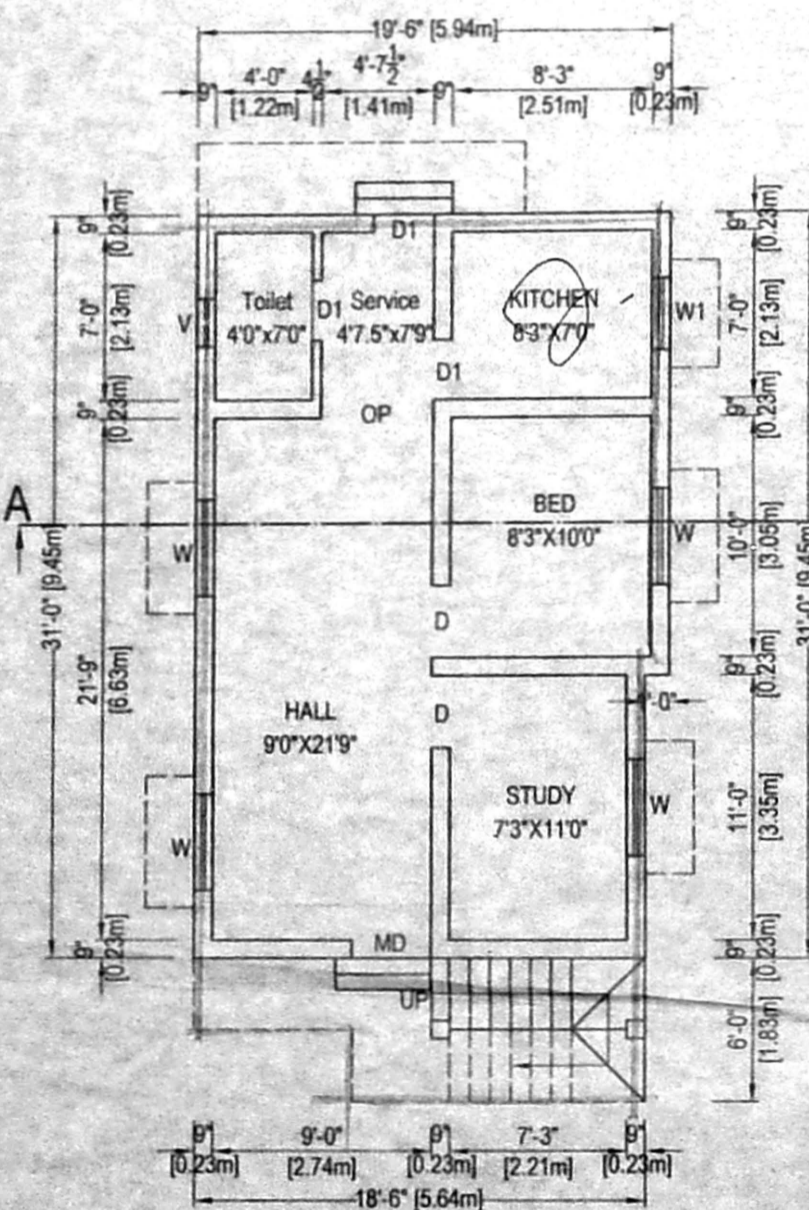
SCALE: NTS



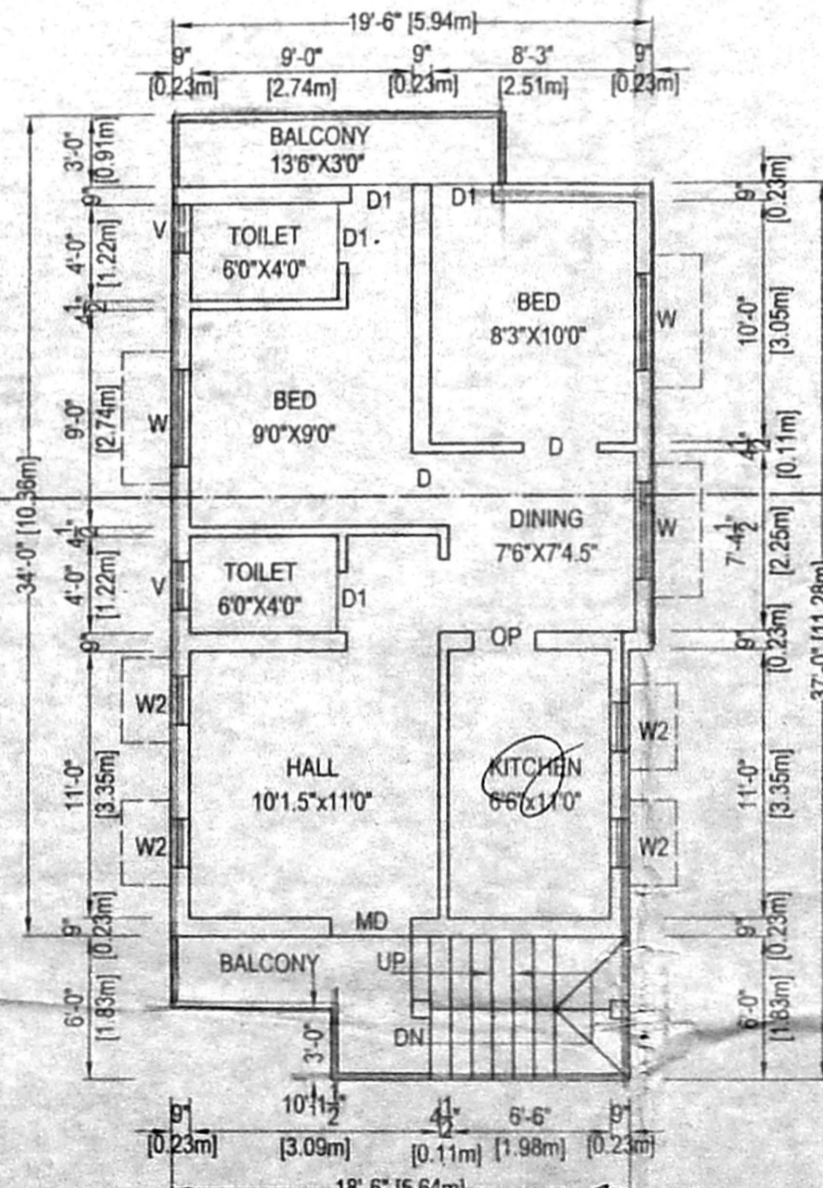
GATE DETAILS



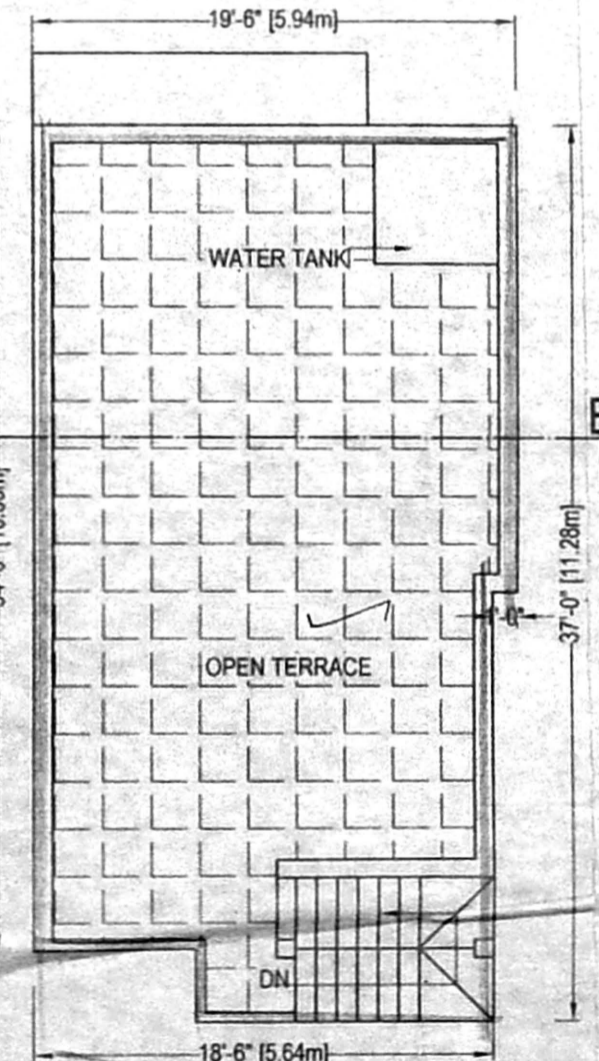
COMPOUND WALL DETAILS



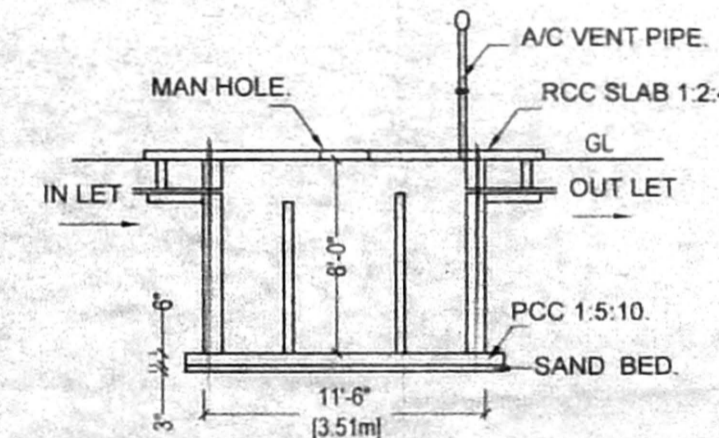
GROUND FLOOR PLAN.



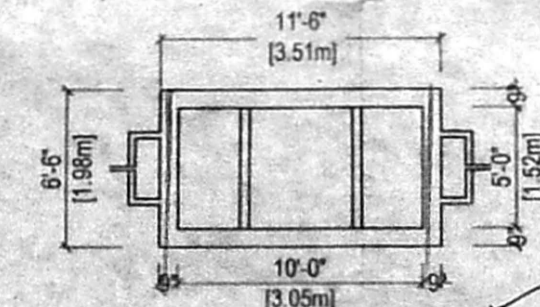
FIRST FLOOR PLAN.



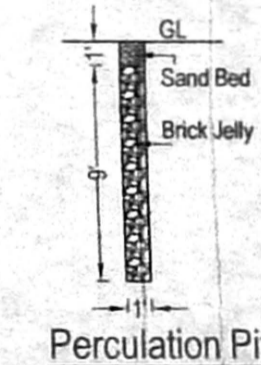
TERRACE FLOOR PLAN.



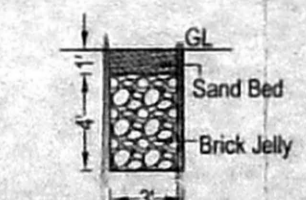
SEPTIC TANK.



SEPTIC TANK PLAN.



Percolation Pit.



R W H Filter Tank

SCHEDULE OF JOINERY

JOINERIES	FEET	METER
MAIN DOOR MD	33'X70"	1.00 X 2.10
DOOR D1	30'X70"	0.91 X 2.10
DOOR D2	25'X70"	0.76 X 2.10
WINDOW W1	30'X40"	0.91 X 1.22
WINDOW W2	25'X40"	0.61 X 1.22
VENTILATOR V	20'X16"	0.61 X 0.46

AREA STATEMENT

DESCRIPTION	SQ.FT	SQM
SITE EXTENT	1377.00	127.97
GROUND FLOOR AREA	593.00	55.11
FIRST FLOOR AREA	663.00	61.62
TOTAL	1256.00	116.73
PLOT COVERAGE	48 %	
F.S.I.	0.91	

COLOUR INDEX.

SITE BOUNDARY	
PROPOSED BUILDING	
EXISTING ROAD.	

G. Indirani
OWNER SIGNATURE

MAITHILI DCE, PBT & CP.
A. CAD. & CIVIL
CORPORATION OF CHENNAI
75, STATION ROAD, 1st Floor,
Radhanagar, Chromepet, Chennai-44
LICENSED SURVEYOR.